

# REYNOLDS®

**20 cu. Yard (15,3m<sup>3</sup>) Ejector. SCRAPER model 20E12.5**



## 12.5 Ft. (3,81m) cut for Construction

### **“The best ejector Scraper”**

for roads, levies, ponds, airports, general construction and mining applications with Ag tractors from 375 to 500 HP.

### **“Synchronized ejector”**

Cylinders, priority apron opening system, replaceable flat ejector guide rails, and steel rollers. Patented SDS® system.

### **“Hydraulic System”**

Manifold with integral valves control all scraper functions. Flare type fittings to reduce leaks. Covers protect lines. Easy service access.

*“America’s Preferred Scraper”*

# REYNOLDS®

**REYNOLDS INTERNATIONAL EQUIPMENT, L.P.**  
P.O. Box 550, McAllen, Texas 78505-0550 USA  
[www.reynoldsinternational.com](http://www.reynoldsinternational.com)

# REYNOLDS

## Ejector SCRAPER model 20E12.5

Specifications subject to  
change without notice

### Specifications

#### ■ capacities

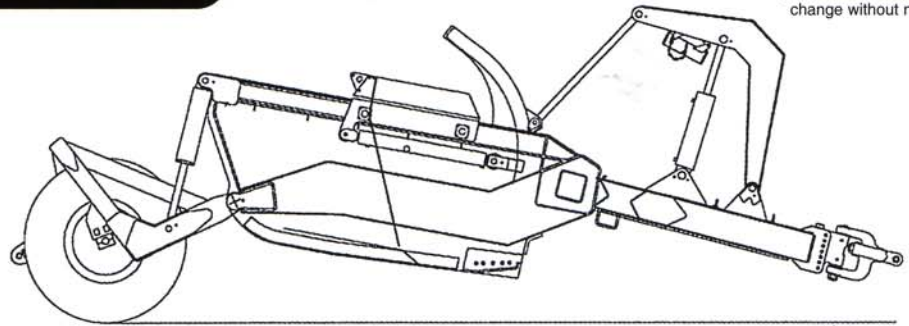
20.0 yd<sup>3</sup> (15,3 m<sup>3</sup>) heaped  
14.1 yd<sup>3</sup> (10,8 m<sup>3</sup>) struck

#### ■ width

150" (3,81 m) cutting  
168" (4,27 m) transp.

#### ■ tires

(4) 23.5 x 25



#### ■ shipping weight est.

30,240 lb (13,717 Kg)



### Features

Multi-function hydraulic block.  
Ejector/floor roller bearings.  
Tandem hitch and hydraulics.  
Cylinder safety stops.  
Adjustable yoke hitch.  
Reversible heat treated alloy blades.  
Wear resistant cast bits.  
Height adjustable axle mounts.  
Heavy duty roller bearings hubs.  
Laser bracket.

### Options

Tractor drawbars.  
Center Straight Blade

### Tractor requirements

#### ■ hydraulics

two double acting circuits  
optimum 35 GPM (140 l/min)  
at 2500 PSI (175 bar)

#### ■ engine HP range

375-500 HP



REYNOLDS INTERNATIONAL EQUIPMENT, L.P., P.O. Box 550, McAllen, Texas 78505-0550 USA

Tel. (956) 687-7500, Fax (956) 687-3082, E mail: info@reynoldsinternational.com